

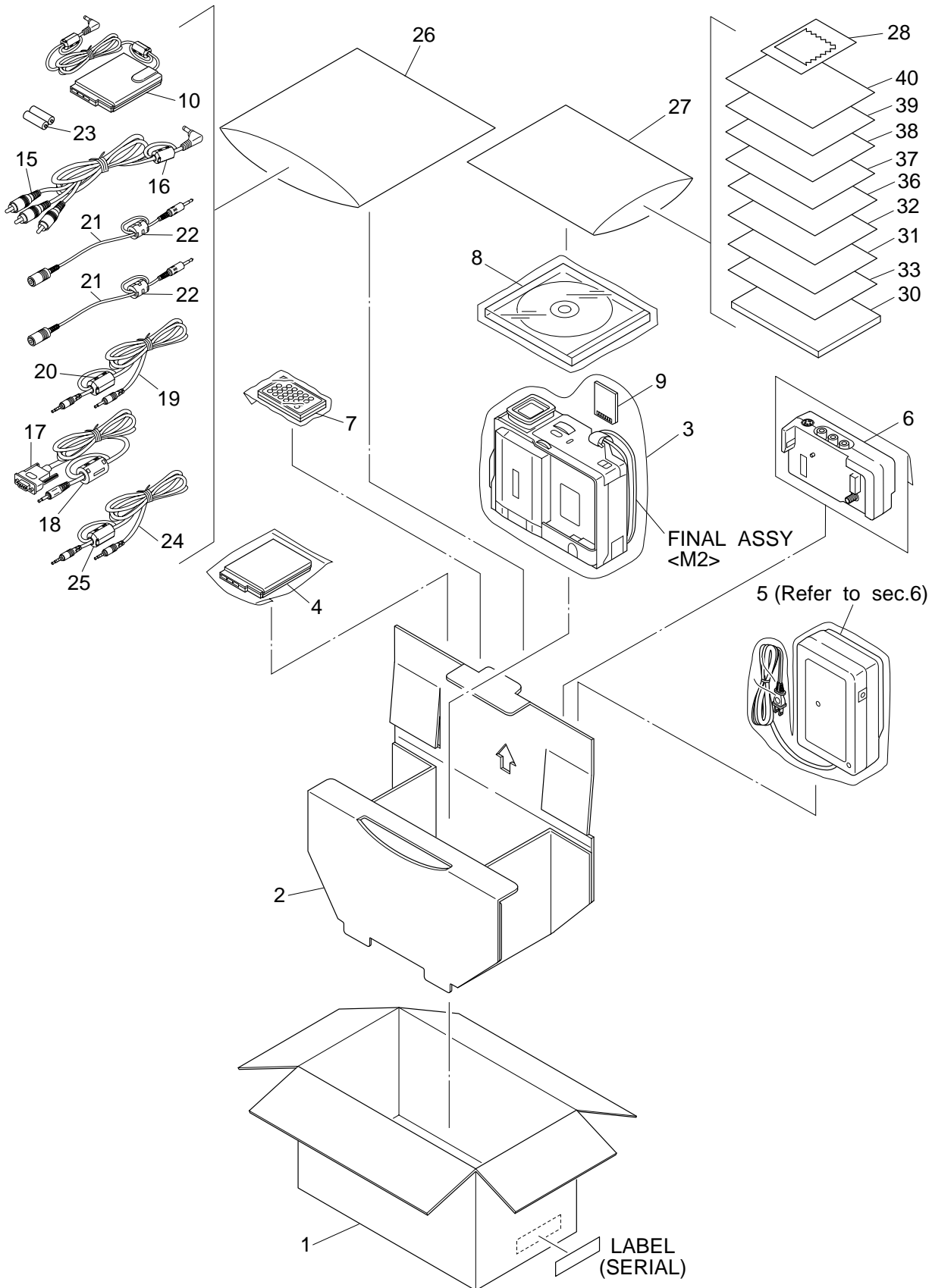
# SECTION 5 PARTS LIST

## SAFETY PRECAUTION

Parts identified by the  $\triangle$  symbol are critical for safety. Replace only with specified part numbers.

### 5.1 PACKING AND ACCESSORY ASSEMBLY <M1>

The instruction manual to be provided with this product will differ according to the destination.



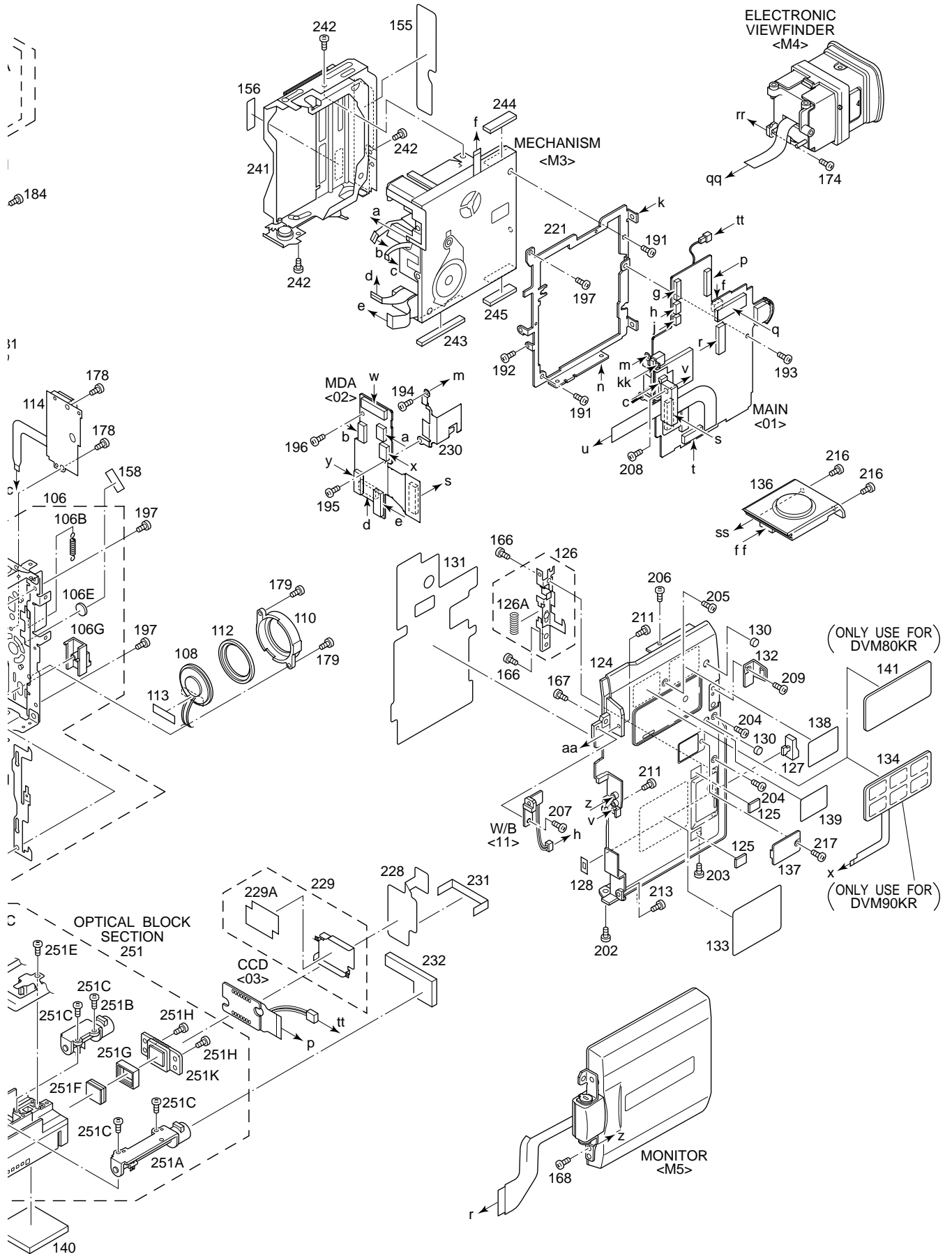
# △ REF No. PART No. PART NAME, DESCRIPTION  
 \*\*\*\*\*

**PACKING AND ACCESSORY ASSEMBLY <M1>**

1	LY32032-005A	PACKING CASE,DVM80KR
	LY32032-006A	PACKING CASE,DVM90KR
2	LY20588-001A	CUSHION
3	LY30023-003A	POLY BAG
△ 4	LY31174-002B	BATTERY PACK,BN-V507U
△ 5	LY20603-010A	AC POWER ADAPTER CHARGER,AA-V51KR
△ 6	LY20590-007A	DOCKING STATION,CU-V502KR,DVM90KR
△	LY20590-009A	DOCKING STATION,CU-V503KR,DVM80KR
7	LY20543-002A	REMOTE CONTROL UNIT,RM-V716U
8	LY31133-013B	CD ROM,DVM90KR
	LY31133-015A	CD ROM,DVM80KR
9	QAM0262-002	MULTIMEDIA CARD,DVM90KR
10	LY31176-004A	DC CORD
15	QAM0124-001	CABLE ASSY,AUDIO/VIDEO CABLE
16	QQR0918-002	CORE FILTER
17	QAM0084-001	PC CONNECTION CABLE
18	QQR0918-002	CORE FILTER
19	QAM0214-001	RM (EDITING) CABLE
20	QQR0491-002	CORE FILTER
21	QAM0213-001	AUDIO CABLE,X2
22	QQR1081-002	CORE FILTER,X2
23	-	BATTERY,AAA(R03),X2
24	QAM0129-001	JLIP CABLE
25	QQR0491-002	CORE FILTER
26	QPGA017-03005	POLY BAG
27	QPA02003006	POLY BAG
28	YQ43558	CLEANING CLOTH
△ 30	LYT0652-001A	IB(KO),DVM80KR
△	LYT0658-001A	IB(KO),DVM90KR
31	LYT0629-031A	IB(PRINTER.KO),DVM90KR
32	LYT0650-001A	IB(SOFT.SETUP),DVM80KR
	LYT0651-001A	IB(SOFT.SETUP),DVM90KR
33	LYT0378-003A	SHEET(AGREMENT)
△ 36	LYT0651-002A	IB(CARDNAVI.KO),DVM90KR
△ 37	LYT0566-002A	IB(CAPTURE,KO),DVM90KR
△ 38	LYT0566-003A	IB(PICNAVI,KO),DVM90KR
39	LYT0650-002A	IB(SOFT.OPE.KO),DVM80KR
40	LYT0162-022A	ACC.LEAFLET,DVM80KR

• INSTRUCTIONS  
 KO ..... KOREAN

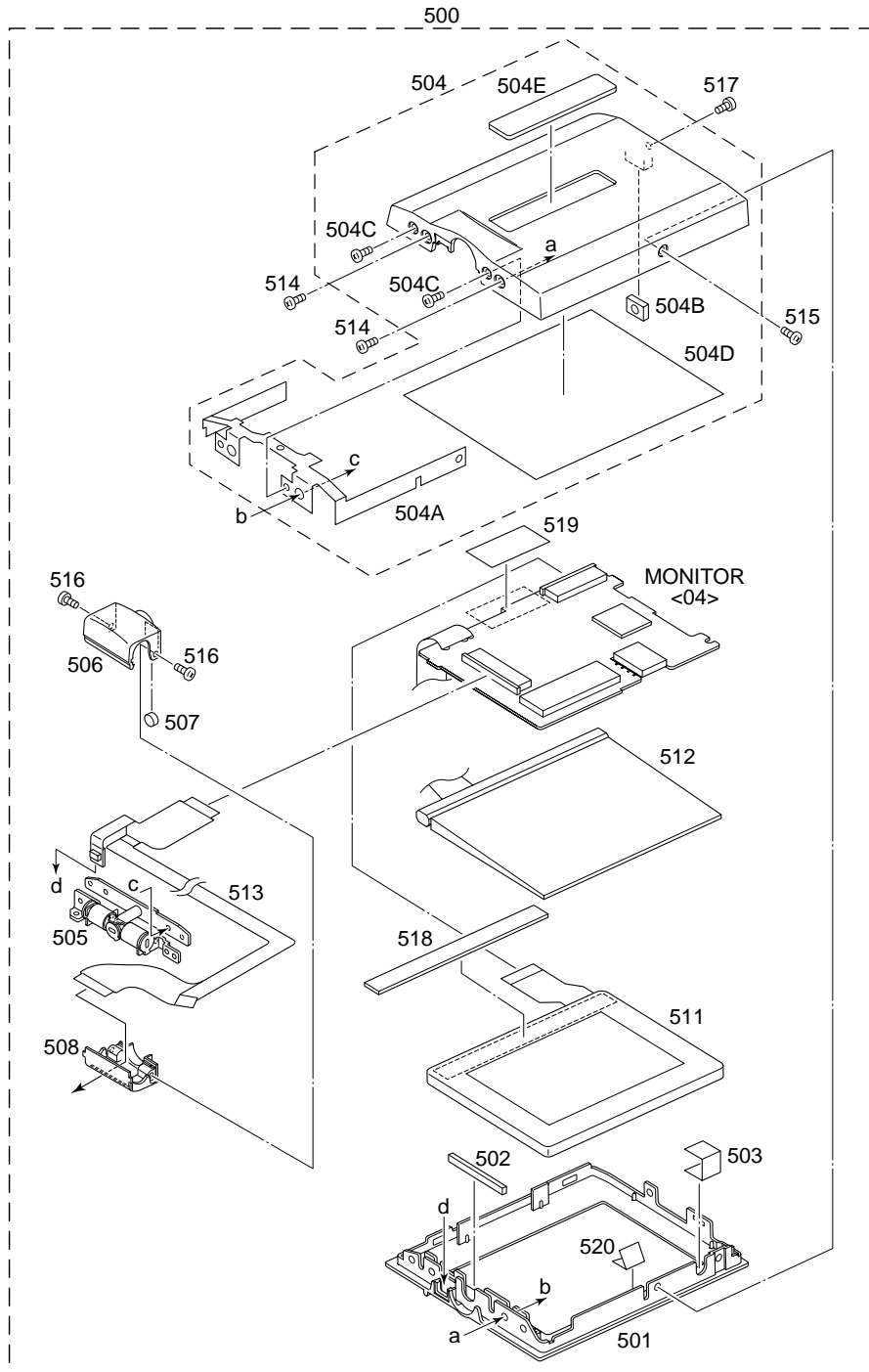




#	△ REF No.	PART No.	PART NAME, DESCRIPTION
*****			
<b>FINAL ASSEMBLY &lt;M2&gt;</b>			
△	101	LY20576-001B	LOWER CASE ASSY,DVM90KR
△		LY20576-003B	LOWER CASE ASSY,DVM80KR
	101A	LY42536-001A	SHEET(LOWER)
	101B	LY42259-001A	SHEET(MIC C)
	102	LY31764-001A	BKT(TOP)
	103	LY41675-001B	RUBBER
	106	LY20601-001B	ARM ASSY
	106A	LY20594-001A	BRACKET(ARM)
	106B	LY30001-023A	TENSION SPRING
	106D	LY30018-056A	SPECIAL SCREW,X2
	106E	LY42268-001A	SPACER(SPK)
	106F	LY31678-001A	BRACKET(HOOK)
	106G	LY31676-001A	KNOB(EJECT)
	106H	LY31665-001A	PLATE(LOCK)
	106J	LY30018-015A	SPECIAL SCREW
	107	LY30029-083A	SPACER(A)
	108	QA50053-001	SPEAKER
	109	LY30029-084A	SPACER(A)
	110	LY31762-001A	HOLDER(SPK)
	111	LY30029-085A	SPACER(A)
	112	LY40301-001A	SPACER(SPK)
	113	LY30029-086A	SPACER(A)
	114	LY31680-001B	ZOOM UNIT,DVM90KR
		LY31680-002B	ZOOM UNIT,DVM80KR
	115	LY31671-001B	MICROPHONE
	116	LY30029-083A	SPACER(A)
	117	LY30029-094A	SPACER-A
	121	LY20602-001A	CASS.COVER ASSY,DVM90KR
		LY20602-003A	CASS.COVER ASSY,DVM80KR
	121A	LY31675-001A	PLATE(HINGE),DVM90KR
	121B	LY42261-001A	BRACKET(HINGE),DVM90KR
	121C	LY30014-009A	SHAFT(C),DVM90KR
	121D	LY30018-026A	SPECIAL SCREW,X2
	121E	LY20599-001A	COVER(C.C.),DVM90KR
		LY20599-002A	COVER(C.C.),DVM80KR
	121F	LY42434-001A	SHEET(COVER)
	122	LY41588-001A	HOOK(OPE)
	123	LY31745-001B	GRIP BELT
	124	LY10236-001A	UPPER CASE
	125	LY30029-091A	SPACER(A),X2
	126	LY42270-001A	BATT.LOCK ASSY
	126A	LY30002-015A	COMPRES. SPRING
	127	LY31102-001A	KNOB(LOCK)
	128	LY41397-001A	PLATE(KNOB)
	129	LY42326-001A	BRACKET(L/U)
	130	LY42350-001A	FOOT,X2
	131	LY42272-001A	SHEET(UPPER)
	132	LY31682-001B	LOCK(MONITOR)
	133	LY41605-002A	LABEL(UPPER)
	134	LY31684-001A	SUB OPE ASSY,DVM90KR
	135	LY20600-001A	CAMERA OPE UNIT,DVM90KR
		LY20600-003A	CAMERA OPE UNIT,DVM80KR
	136	LY31906-001A	DECK OPE ASSY
	137	LY41393-004A	COVER(JIG CONN)
	138	LY41701-002A	SHEET(CAUTION)1
	139	LY42163-003A	SHEET(CAUTION)2
	140	LY30029-099A	SPACER(A)
	141	LY42406-001A	SHEET,DVM80KR
	146	LY20581-001D	FRONT COVER ASSY,DVM90KR
		LY20581-003D	FRONT COVER ASSY,DVM80KR
	146A	LY42276-001B	INDICATOR
	146B	LY42277-001A	WINDOW(IR)
	146C	LY42278-001A	WINDOW(STB),DVM90KR
	146D	LY31687-001A	PAD
	146E	LY42280-001A	SHEET(DF)
	146F	LY42281-001A	COVER(DV) ASSY
	146G	LY42286-001A	HINGE(AV)
	146H	LY42285-002A	COVER(AV)
	147	LY31761-002B	FRONT COVER2
	151	LY31767-001B	HOOD ASSY
	152	LY31691-001B	HOOK
	153	LY42287-001A	STUD(HOOK)
	154	LY42404-001A	SHEET
	155	LY40698-002A	LABEL(HOUSING)
	156	LY40699-002A	LABEL(PUSH)
	157	LY30016-0H5A	SPACER-A
	158	LY30029-074A	SPACER(A)
	161	QYSPSPT1740R	SCREW

#	△ REF No.	PART No.	PART NAME, DESCRIPTION
		162	LY30018-063A
		163	QYSPSPT1740R
		164	QYSPSGT1740Z
		165	QYSPSGT1740Z
		166	QYSPSPT1725Z
		167	LY30018-068A
		168	LY30018-0B9A
		169	LY30018-032A
		170	LY30018-020A
		171	LY30018-020A
		172	LY30019-007B
		173	LY30018-060A
		174	LY30018-093A
		175	LY30018-026A
		176	LY30018-060A
		177	LY30018-043B
		178	LY30018-032A
		179	LY30018-096A
		180	QYSPSPT1720R
		181	LY30018-066A
		182	LY30018-0B5A
		183	QYSPSPT1720R
		184	LY30018-0B5A
		191	LY30019-026A
		192	YQ43893-4
		193	QYSPSPT1735R
		194	YQ43893-4
		195	QYSPSPT1735R
		196	LY30018-070A
		197	LY30018-070A
			LY30018-049A
			LY30019-023A
		198	LY30019-023A
		199	QYSPSPT1735R
		200	QYSPSPT1720R
		201	LY30018-070A
		202	QYSPSPT1735R
		203	QYSPSPT1735R
		204	QYSPSPT1730R
		205	LY30018-0B7A
		206	LY30018-0B7A
		207	QYSPSPT1735R
		208	QYSPSPT1735R
		209	LY30018-0B8A
		210	LY30018-0B7A
		211	QYSPSGT1780R
		212	LY30018-0B8A
		213	QYSPSGT1712R
		214	QYSPSPT1735R
		215	LY30019-022A
		216	QYSPSPT1735R
		217	LY30018-070A
		221	LY20582-001A
		222	LY31758-001A
		223	LY31693-001B
		224	LY42290-001A
		225	LY42291-001B
		226	QAL0240-001
		227	WJT0034-001A
		228	LY42756-001B
		229	LY42748-001B
		229A	LY42677-001A
		230	LY31696-001A
		231	LY30029-095A
		232	LY42770-001A
		241	LY30483-001Q
		242	YQ43893-4
		243	LY41430-005A
		244	LY30029-090A
		245	LY41430-004A
<b>- OPTICAL BLOCK SECTION -</b>			
		251	LYH20156-001A
		251A	LY31572-001A
		251B	LY31571-001A
		251C	LY30727-002A
		251E	LY30727-001A
		251F	LY42110-001A
		251G	LY30721-001A
		251H	QYSPSGU1750Z
		251J	LY31573-001A
		251K	YS40168G
			SPECIAL SCREW
			SCREW,X2
			SCREW,X4
			SCREW
			SCREW,X2
			SPECIAL SCREW
			SPECIAL SCREW
			SPECIAL SCREW,X3
			SPECIAL SCREW,X4
			SPECIAL SCREW
			SPECIAL SCREW,X2
			SPECIAL SCREW
			SPECIAL SCREW,DVM90KR
			SPECIAL SCREW
			SPECIAL SCREW,X2
			SPECIAL SCREW,X2
			SPECIAL SCREW,X3
			SPECIAL SCREW,X6
			SPECIAL SCREW,X2
			SCREW
			SPECIAL SCREW
			SPECIAL SCREW,X2
			MINI SCREW
			SCREW
			MINI SCREW
			SCREW
			SPECIAL SCREW
			SPECIAL SCREW,X5,DVM90KR
			SPECIAL SCREW,X5,DVM80KR
			SPECIAL SCREW
			SCREW
			SCREW
			SPECIAL SCREW
			SCREW
			SCREW,X2
			SPECIAL SCREW
			SPECIAL SCREW
			SCREW
			SPECIAL SCREW
			SCREW
			SPECIAL SCREW
			SCREW
			SCREW,X2
			BRACKET(MECHA)
			FPC ASSY(M.CN)
			BASE(T.P.)
			BRACKET(BASE)1
			BRACKET(BASE)2
			FPC,MDA CN208-MMC CN601
			E-CARD WIRE,AU/VF CN803-D.OPE
			HEAT TAPE
			SHIELD ASSY
			SHEET(CCD)
			SHIELD PLATE
			SPACER(A)
			SPACER(OP.M)
			CASSETTE HOUSING ASSY
			MINI SCREW,X3
			SPACER
			SPACER(A)
			SPACER
			OPTICAL BLOCK ASSY
			ZOOM MOTOR
			FOCUS MOTOR
			SCREW,X5
			SCREW,X2
			OPTICAL LPF
			SPACER RUBBER
			SCREW,X2
			IRIS MOTOR UNIT
			CCD BASE ASSY

### 5.3 MONITOR ASSEMBLY <M5>



# ▲ REF No. PART No. PART NAME, DESCRIPTION  
 \*\*\*\*\*

#### MONITOR ASSEMBLY <M5>

# ▲	REF No.	PART No.	PART NAME, DESCRIPTION
▲	500	LYH20164-001C	MONITOR ASSY,DVM90KR
▲		LYH20164-002C	MONITOR ASSY,DVM80KR
	501	LY20584-001B	MONITOR CASE
	502	LY30029-046B	SPACER(A)
	503	LY30029-048A	SPACER(A)
▲	504	LY20585-001A	MONITOR COVER ASSY,DVM90KR
▲		LY20585-003A	MONITOR COVER ASSY,DVM80KR
	504A	LY31699-001A	BRACKET(MON.)
	504B	LY40162-001A	BKT
	504C	LY30018-057A	SPECIAL SCREW,X2
	504D	LY30029-047A	SPACER(A)

# ▲ REF No. PART No. PART NAME, DESCRIPTION

	504E	LY42295-001A	PLATE(MON.)
	505	LY31701-001B	HINGE ASSY
	506	LY31702-001A	HINGE COVER(U)
	507	LY40663-002A	MAGNET
	508	LY31703-001A	HINGE COVER(L)
	511	QLD0138-001	LCD MODULE
	512	QLL0087-001	BACK LIGHT
	513	LY31756-001A	FPC ASSY(MONI)
	514	LY30018-0B1A	SPECIAL SCREW,X2
	515	QYSPSPT1730R	SCREW
	516	LY30018-060A	SPECIAL SCREW,X2
	517	QYSPSPT1735R	SCREW
	518	LY30029-076A	SPACER(A)
	519	LY30029-093A	SPACER(A)
	520	LY30029-0A1A	SPACER(A)